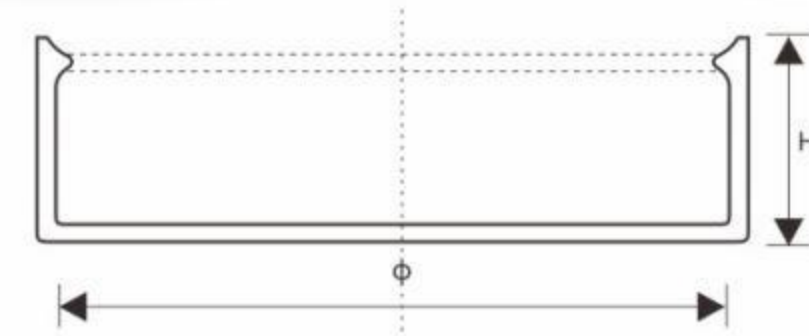


MODEL NUMBER

JJGF 622 DIN Outside Fitting Flange Protectors

Pushes on to cover the entire flange and protect the face and sides. Ideal for coated and conical bore flanges.



Sizes: DN15 to DN300

Material: LDPE, low-density polyethylene.

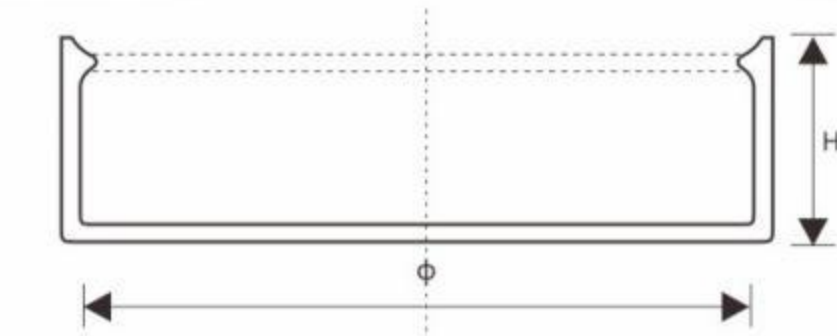
Color: ■ ■ ■ ■ ■

Custom-made: Resistant to temperatures from -50 degrees C to +60 degrees C. UV-stabilised

MODEL NUMBER

JJGF 611 ANSI Outside Fitting Flange Protectors

Pushes on to cover the entire flange and protect the face and sides. Ideal for coated and conical bore flanges.



Sizes: 1/2" to 24"

Material: LDPE, low-density polyethylene.

Color: ■ ■ ■ ■ ■

Pressures: 150LB to 2500LB

Custom-made: Resistant to temperatures from -50 degrees C to +60 degrees C. UV-stabilised

Size	Pressure Group	D	H	↓
DN15	PN10,16,25,40	95	17	4.5
DN20	PN10,16,25,40	105	19	4.5
DN25	PN10,16,25,40	115	19	4.5
DN32	PN10,16,25,40	140	19	4.5
DN40	PN10,16,25,40	150	19	4.5
DN50	PN10,16,25,40	165	21	4.5
DN65	PN10,16,25,40	185	22	4.5
DN80	PN10,16,25,40	200	24	4.5
DN100	PN10,16	220	24	7
DN100	PN25,40	235	24	7
DN125	PN10,16	250	25	7
DN150	PN10,16	285	25	7
DN150	PN25,40	300	27	7
DN200	PN10,16	340	27	7
DN200	PN25	360	30	12
DN200	PN40	375	34	12
DN250	PN10	395	29	12
DN250	PN16	406.5	30	12
DN300	PN10	445	29	12
DN300	PN16	460	31	12

Size	150LB			300LB			600LB			900LB			1500LB			2500LB		
	D	H	↓	D	H	↓	D	H	↓	D	H	↓	D	H	↓	D	H	↓
1/2"	88.9	11.2	4.5	95.2	14.2	4.5	95.3	14.2	4.5	120.6	22.3	6	120.6	22.3	6	133.4	30.2	8
3/4"	98.6	12.7	4.5	117.3	15.7	4.5	117.3	15.7	4.5	130	25.4	6	130	25.4	6	139.7	31.75	8
1"	108	14.2	4.5	123.9	17.5	4.5	124	17.5	4.5	149.3	28.4	6	149.3	28.4	6	158.8	35.1	8
1 1/4"	117.3	15.7	4.5	133.3	19	4.5	133.4	20.6	4.5	158.7	28.4	6	158.7	28.4	6	184.2	38.1	8
1 1/2"	127	17.5	4.5	155.4	20.6	4.5	155.4	22.4	4.5	177.8	31.7	6	177.8	31.7	6	203.2	44.5	8
2"	152.4	19.1	4.5	165.1	22.3	4.5	165.1	25.4	4.5	215.9	38.1	6	215.9	38.1	6	235	50.8	8
2 1/2"	177.8	22.4	4.5	190.5	25.4	4.5	190.5	28.4	4.5	244.3	41.1	6	244.3	41.1	6	266.7	57.15	8
3"	190.5	23.9	4.5	209.5	28.4	4.5	209.6	31.75	4.5	241.3	38.1	6	266.7	47.7	6	304.8	66.55	8
3 1/2"	215.9	23.9	6	228.6	30.2	6	228.6	35.1	6									
4"	228.6	23.9	6	254	31.7	6	273.1	38.1	6	292.1	44.4	8	311.1	53.8	12	355.6	76.2	12
5"	254	23.9	6	279.4	35	6	330.2	44.5	6	349.2	50.8	8	374.6	73.15	12	419.1	91.9	12
6"	279.4	25.4	6	317.5	36.5	6	355.6	47.8	7	381	55.6	8	393.7	82.5	12	482.6	108	12
8"	342.9	28.4	6	381	41.1	6	419.1	55.6	7	469.9	63.5	8	482.6	91.9	12	552.5	127	12
10"	406.4	30.2	7	444.5	47.7	7	508	63.5	7	546.1	69.85	8	584.2	107.9	12	673.1	165.1	12
12"	482.6	31.75	7	520.7	50.8	7	558.8	66.55	7	609.6	79.25	8	673.1	123.9	12	762	184.2	12
14"	533.4	35.1	12	584.2	53.8	12	603.3	69.85	12	641.3	85.8	8	749.3	133.3	12			
16"	596.9	36.6	12	647.7	57.15	12	685.8	76.2	12	704.8	88.9	12	825.5	146	12			
18"	635	39.6	12	711.2	60.45	12	743	82.6	12	787.4	101.6	12	914.4	162	12			
20"	698.5	42.9	12	774.7	63.5	12	812.8	88.9	12	857.2	107.9	12	984.2	117.8	12			
24"	812.8	47.8	12	914.4	69.85	12	939.8	101.6	12	1041.4	139.7	12	1168.4	203.2	12			

Just simply push over the flange diameter,
Protect the face as well as the sides from damage
during storage, transit and laying.



Sizes: 1/2" to 48".

Material: LDPE, low density polyethylene.

Color: Red, Yellow, Blue, Green, Orange

Pressures: 150LB to 2500LB

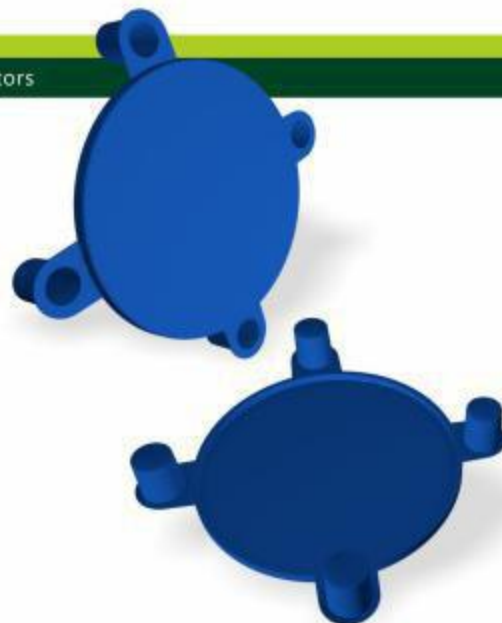
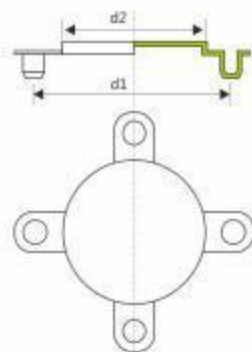
Custom-made: Resistant to temperatures from -50 degrees C to +60 degrees C. UV-stabilised.

Size	150LB		300LB		600LB		900LB		1500LB		2500LB	
	D	H	D	H	D	H	D	H	D	H	D	H
1/2"	88.9	12	95.2	14.2	95.3	14.2	120.6	22.3	120.6	22.3	133.4	30.2
3/4"	98.6	12.7	117.3	14	117.3	14	130	25.4	130	25.4	139.7	31.75
1"	108	17	123.9	17	124	17	149.3	28.4	149.3	28.4	158.8	35.1
1 1/4"	117.3	14	133.3	21	133.4	21	158.7	28.4	158.7	28.4	184.2	38.1
1 1/2"	127	21	155.4	21	155.4	21	177.8	31.7	177.8	31.7	203.2	44.5
2"	152.4	21	165.1	25	165.1	25	215.9	38.1	215.9	38.1	235	50.8
2 1/2"	177.8	25	190.5	25	190.5	25	244.3	41.1	244.3	41.1	266.7	57.15
3"	190.5	25	209.5	25	209.6	25	241.3	38.1	266.7	47.7	304.8	66.55
3 1/2"	215.9	25	228.6	30.2	228.6	35.1						
4"	228.6	25	254	25	273.1	38.1	292.1	44.4	311.1	53.8	355.6	76.2
5"	254	25	279.4	25	330.2	44.5	349.2	50.8	374.6	73.15	419.1	91.9
6"	279.4	25	317.5	27	355.6	47.8	381	55.6	393.7	82.5	482.6	108
8"	342.9	30	381	30	419.1	55	469.9	63.5	482.6	91.9	552.5	127
10"	406.4	33	444.5	33.5	508	63.5	546.1	69.85	584.2	107.9	673.1	165.1
12"	482.6	34	520.7	34	558.8	66.55	609.6	79.25	673.1	123.9	762	184.2
14"	533.4	36.5	584.2	47	603.3	69.85	641.3	85.8	749.3	133.3		
16"	596.9	38	647.7	55	685.8	75	704.8	88.9	825.5	146		
18"	635	39.6	711.2	60.45	743	82.6	787.4	101.6	914.4	162		
20"	698.5	42.9	774.7	63.5	812.8	88.9	857.2	107.9	984.2	177.8		
22"	749.3	45.97	838.2	66.55	869.95	95.25						
24"	812.8	47.8	914.4	69.85	939.8	101.6	1041.4	139.7	1168.4	203.2		
26"	869.95	68.33	971.55	79.25	1016.00	107.95	1085.9	139.7				
28"	927.1	71.37	1035.1	85.85	1073.20	111.25	1168.4	142.75				
30"	984.25	74.68	1092.2	91.95	1130.30	114.30	1231.9	149.35				
32"	1060.5	81.03	1149.4	98.55	1193.80	117.35	1314.5	158.75				
34"	1111.3	82.55	1205	101.60	1244.60	120.65	1397	165.1				
36"	1168.4	90.42	1270	104.65	1314.50	123.95	1460.5	171.45				
38"	1238.3	87.38	1168.4	107.95	1270.00	152.40	1460.5	190.5				
40"	1289.1	90.42	1238.3	114.30	1320.80	158.75	1511.3	196.85				
42"	1346.2	96.77	1289.1	119.13	1403.40	168.15	1562.1	206.25				
44"	1403.4	101.60	1352.6	123.95	1454.20	172.97	1648.0	214.38				
46"	1454.2	103.12	1416.1	128.52	1511.30	179.32	1733.6	225.55				
48"	1511.3	107.95	1466.9	133.35	1593.90	188.98	1784.4	233.43				

MODEL NUMBER

JJGF 530 GB Stud Hole Fitting Flange Protectors

Suitable for high-face flanges.
Quick fitting. Simply insert plugs into the bolt holes.
Will not tear or crack. Weather and petroleum resistant.



Sizes: 1/2" to 40"

Material: LDPE, low density polyethylene.

Color:

Standards: GB, GOST, DIN.

Custom-made: Resistant to temperatures from -50 degrees C to +60 degrees C. UV-stabilised.

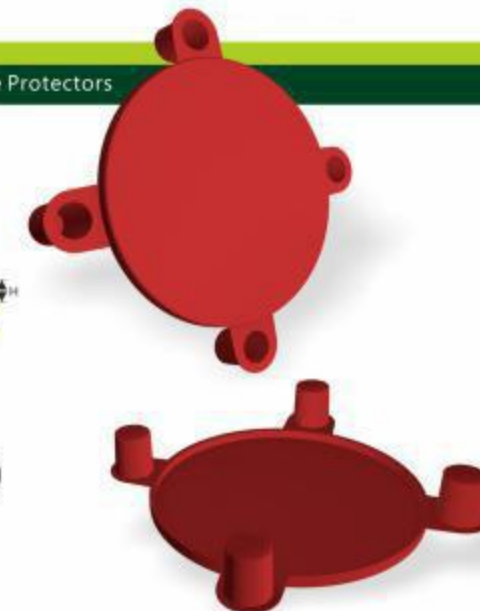
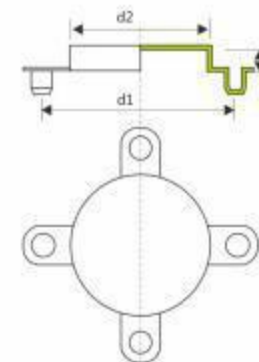
DN	d1	d2	Hole
10	60	42	14
15	65	50	14
20	75	60	14
25	85	70	14
32	100	82	18
40	110	90	18
50	125	104	18
65	145	125	18
80	160	139	18
100-6	170	151	18
100	180	164	18
100-25.40	190	166	23
125-6	200	179	18
125	210	189	18
125-25.40	220	194	26
150-6	225	204	18
150	240	214	23
150-25.40	250	223	26
200-10.16	295	271	23
200-25	310	283	26
250-10	350	324	23

DN	d1	d2	Hole
250-16	355	326	26
250-25	370	336	30
300-10	400	368	23
300-16	410	376	26
300-25	430	396	30
350-10	460	433	23
350-16	470	439	26
400-10	515	487	26
400-16	525	490	30
450-10	565	537	26
450-16	585	550	30
500-10	620	590	26
500-16	650	613	34
600-10	725	690	30
600-16	770	723	36

MODEL NUMBER

JJGF 535 High-face Stud Hole Fitting Flange Protectors

It is used for PTFE flange, pipeline,
pipe fitting and related components.



Sizes: DN15 to DN600

Material: LDPE, low density polyethylene.

Color:

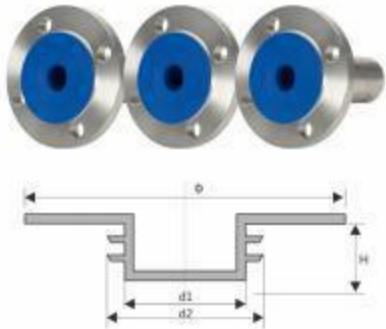
Custom-made: Resistant to temperatures from -50 degrees C to +60 degrees C. UV-stabilised.

DN	d1	d2	Hole	H
15	65	47	14	10
20	75	60	14	10
25	85	72	14	11
32	100	80	18	11
40	110	87	18	12
50	125	104	18	12
65	145	123	18	12
80	160	139	18	12
100	180	160	18	12
125	210	190	18	16
150	240	215	23	16
200	295	270	23	17
250	350	320	23	17
300	400	370	23	17
350	460	433	23	20
400	515	487	26	20
450	565	537	26	20
500	620	590	26	20
600	725	690	30	20

MODEL NUMBER

JJGF 630 Valve Flange Face Protection Plugs

Provides cushioned protection for flange face.



Sizes: 1/2" to 40"

Material: LDPE, low density polyethylene.

Color: ■ ■ ■ ■ ■

Custom-made: Marine standard, ISO, GB, API/ANSI, DIN, JIS, BS, NF

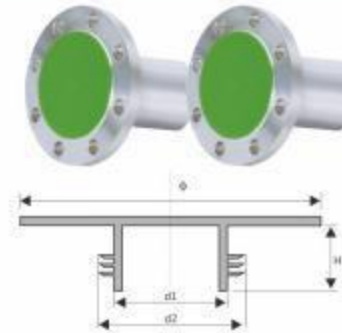
Custom-made: Resistant to temperatures from -50 degrees C to +60 degrees C. UV-stabilised.



MODEL NUMBER

JJGF 630 Flange Pipeline Protection Plugs

Provide tight fit, protect flange and pipeline from cleaning and sand blasting.



Sizes: DN15 to DN600

Material: LDPE, low density polyethylene.

Color: ■ ■ ■ ■ ■

Custom-made: Resistant to temperatures from -50 degrees C to +60 degrees C. UV-stabilised.



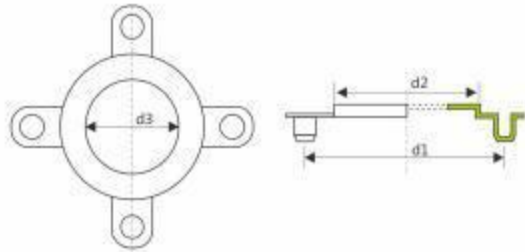
Size	DN	φ	H	d1	d2
1/2"	Dn15	44	17	9	17
1/2"	DN15a	43	20	12	18
3/4"	DN20	54	19	12	22
1"	DN25	66	22	17	28
1 1/4"	DN32	78	27	25	34
1 1/2"	DN40	90	29	28	43
1 1/2"	DN40a	115	30	25	47
2"	DN50	100	30	38	53
2"	DN50a	92	35	40	55
2"	Dn50b	125	35	40	55
2H"		115	60	30	40
2 1/16"		110	32	40	57
2 1/2"	DN65	118	32	42	69
2 9/16"		127	35	45	71
3"	DN80	131	33	52	83
3"	DN80a	131	36	55	86
3"	Dn80b	127	36	70	88
3H"		154	60	43	53
3 1/8"		155	36	70	88
4"	DN100	157	35	70	106
4"	DN100a	158	38	75	110
4"	Dn100b	157	37	90	110
4H"		180	60	69	79
4 1/16"		180	38	73	107
5"	DN125	182	37	90	128
5"	Dn125a	182	42	97	134
5 1/8"		210	42	100	135

Size	DN	φ	H	d1	d2
6"	DN150	214	42	115	155
6"	DN150a	214	47	125	182
7 1/16"		273	47	170	182
8"	DN200	273	47	170	210
9"		325	50	210	332
10"	DN250	325	50	210	262
11"		400	55	265	285
12"	DN300	386	55	265	316
12"	DN300a	400	55	265	316
13 5/8"		475	78	340	350
14"	DN350	414	65	300	355
16"	DN400	475	78	350	405
18"	DN450	540	80	400	455
20"	DN500	590	85	450	505
24"	DN600	690	90	550	605
26"	DN650	749.3	100	600	655
28"	DN700	800	100	645	705
30"	DN750	857	100	690	755
32"	DN800	914	100	740	805
36"	DN900	1022	100	830	905
40"	DN1000	1124	100	920	1005
42"	DN1050	1200	100	955	1055
44"	DN1100	1245	100	1005	1105
46"	DN1150	1296	120	1055	1155
48"	DN1200	1359	120	1105	1205
54"	DN1350	1511	150	1255	1355
60"	DN1500	1676	150	1410	1510

DN	φ	H	d1	d2
15	42	25	10	23
20	53	26	18	27
25	61	27	19	32
32	65	32	28	39
40	75	34	33	46
50	92	39	45	58
65	116	40	58	72
80	128	46	68	85
100	145	48	90	106
125	174	49	116	135
150	193	50	137	163
200	260	52	184	210
250	330	53	210	263
300	385	55	265	317
350	440	60	260	355
400	460	70	340	402
450	520	70	388	452
500	570	70	440	502
600	670	70	540	602

MODEL NUMBER
JJGF 580 Hollow Stud Hole Fitting Flange Protectors

Quick fitting. Simply insert plugs into the bolt holes.
Protect waterplane of flange.



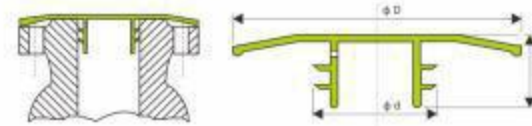
Sizes: 2" to 12"
Material: LDPE, low density polyethylene.
Color:
Standards: GB, GOST, DIN.
Custom-made: Resistant to temperatures from -50 degrees C to +60 degrees C. UV-stabilised.

Size	150LB			
	d1	d2	d3	Hole
2"	120.7	99	39	19.1
2 1/2"	139.7	117	49	19.1
3"	152.4	129	60	19.1
4"	190.5	168	88	19.1
5"	215.9	190	115	22.4
6"	241.3	220	130	22.4
8"	298.5	271	180	22.4
10"	362	325	227	25.4
12"	431.8	388	270	25.4

Size	300LB			
	d1	d2	d3	Hole
2"	127	99	40	19
2 1/2"	149.3	109	50	22.3
3"	168.1	133	60	22.3
4"	200.1	163	80	22.3
5"	234.9	194	110	22.3
6"	269.7	222	130	22.3
8"	330.2	276	170	25.4
10"	387.3	328	220	28.4
12"	450.8	393	260	31.7

MODEL NUMBER
JJGF 660 Push-In Full-Face Flange Protectors

Suitable for both imperial (ANSI) and metric (DIN) flanges to specifications DN 2627 - 2638, 150, BS 5504 and ANSIB16, 5.
The most versatile and universal flange protector on the market. Its unique design allows the protection of an array of different size flanges, as well as other various classifications of flanges, with one part

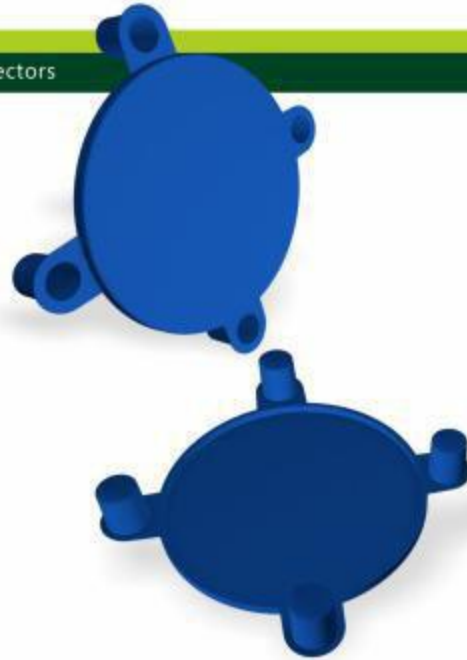
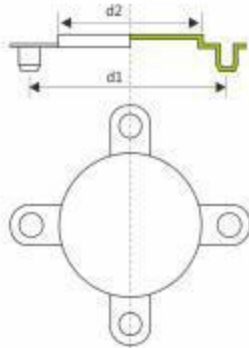


Sizes: DN15 to DN500
Material: LDPE, low density polyethylene.
Color:
Standards: GB, GOST, DIN.
Custom-made: Resistant to temperatures from -50 degrees C to +60 degrees C. UV-stabilised.

Dimensions Nom φ	Dimensions		
	φ D	φ d	H
DN 10 3/8"	86.0	13.7	15.0
DN 15 1/2"	90.0	19.0	15.0
DN 20 3/4"	100.0	24.0	20.0
DN 25 1"	110.0	30.0	20.0
DN 32 1.1/4"	136.0	39.0	20.0
DN 40 1.1/2"	146.0	45.0	20.0
DN 50 2"	160.0	56.0	20.0
DN 65 2.1/2"	180.0	72.0	20.0
DN 80 3"	196.0	85.0	25.0
DN 100 4"	216.0	109.0	25.0
DN 125 5"	247.7	134.0	25.0
DN 150 6"	283.0	161.0	35.0
DN 200 8"	336.0	210.0	41.3
DN 250 10"	390.0	262.0	41.0
DN 300 12"	450.0	318.0	48.0
DN 350 14"	515.0	355.0	55.0
DN 400 16"	586.0	410.0	62.0
DN 450 18"	660.0	453.0	65.0
DN 500 20"	750.0	503.0	70.0

MODEL NUMBER
JJGF 570 ANSI Stud Hole Fitting Flange Protectors

Suitable for ASA/ANSI/BS1560 flanges.
Quick fitting. Simply insert plugs into the bolt holes.
Will not tear or crack. Weather and petroleum resistant.



Sizes: 1/2" to 30"
Material: LDPE, low density polyethylene.
Color:
Standards: GB, GOST, DIN.
Custom-made: Resistant to temperatures from -50 degrees C to +60 degrees C. UV-stabilised.

150LB			
Size	d1	d2	Hole
1/2"	60.45	39	15.7
3/4"	69.85	48	15.7
1"	79.25	53	15.7
1 1/4"	88.9	67	15.7
1 1/2"	98.6	82	15.7
2"	120.7	99	19.1
2 1/2"	139.7	117	19.1
3"	152.4	129	19.1
4"	190.5	168	19.1
5"	215.9	190	22.4
6"	241.3	220	22.4
8"	298.5	271	22.4
10"	362	325	25.4
12"	431.8	388	25.4
14"	476.3	412	28.4
16"	539.8	468	28.4
18"	577.9	540	31.75
20"	635	586	31.75
24"	749.3	693	35.05
26"	806.45	754	35.05
28"	863.6	805	35.05
30"	914.4	862	35.05

300LB			
Size	d1	d2	Hole
1/2"	66.55	39	15.7
3/4"	82.5	47	19
1"	88.9	54	19
1 1/4"	98.5	69	19
1 1/2"	114.3	78	22.3
2"	127	99	19
2 1/2"	149.3	109	22.3
3"	168.1	133	22.3
4"	200.1	163	22.3
5"	234.9	194	22.3
6"	269.7	222	22.3
8"	330.2	276	25.4
10"	387.3	328	28.4
12"	450.8	393	31.7
14"	514.3	408	31.7
16"	571.5	467	35
18"	628.6	539	35
20"	685.8	589	35
24"	812.8	697	41.1
26"	876.30	754	44.45
28"	939.80	805	44.45
30"	996.95	862	47.75

MODEL NUMBER
JJGF 570 ANSI Stud Hole Fitting Flange Protectors

600LB			
Size	d1	d2	Hole
1/2"	66.55	39	15.7
3/4"	82.6	47	19.1
1"	88.9	54	19.1
1 1/4"	98.6	69	19.1
1 1/2"	114.3	78	22.4
2"	127	99	19.1
2 1/2"	149.4	105	22.4
3"	168.1	133	22.4
4"	215.9	173	25.4
5"	266.7	186	28.4
6"	292.1	244	28.4
8"	349.3	305	31.75
10"	431.8	369	35.1
12"	489	414	35.1
14"	527.1	458	38.1
16"	603.3	509	41.1
18"	654.1	576	44.5
20"	723.9	636	44.5
24"	838.2	750	50.8

1500LB			
Size	d1	d2	Hole
1/2"	82.5	43	22.3
3/4"	88.9	51	22.3
1"	101.6	59	25.4
1 1/4"	111.2	64	25.4
1 1/2"	123.9	80	28.4
2"	165.1	129	25.4
2 1/2"	190.5	105	28.4
3"	203.2	170	31.7
4"	241.3	186	35
5"	292.1	186	41.1
6"	317.5	251	38.1
8"	393.7	325	44.4
10"	482.6	375	50.8
12"	571.5	439	53.8
14"	635	490	60.45
16"	704.8	547	66.55
18"	774.7	614	73.15
20"	831.8	674	79.25
24"	990.6	795	91.9

900LB			
Size	d1	d2	Hole
1/2"	82.5	43	22.3
3/4"	88.9	51	22.3
1"	101.6	59	25.4
1 1/4"	111.2	64	25.4
1 1/2"	123.9	80	28.4
2"	165.1	129	25.4
2 1/2"	190.5	105	28.4
3"	190.5	170	25.4
4"	234.9	187	31.7
5"	279.4	186	35
6"	317.5	248	31.7
8"	393.7	312	38.1
10"	469.9	367	38.1
12"	533.4	420	38.1
14"	558.8	468	41.1
16"	615.9	525	44.4
18"	685.8	595	50.8
20"	749.3	649	53.8
24"	901.7	773	66.55

2500LB			
Size	d1	d2	Hole
1"	108	85	25.4
1 1/2"	146.1	115	31.75
2"	171.5	140	28.4
3"	228.6	172	35.1
4"	273.1	209	41.1
6"	368.3	280	53.8
8"	438.2	341	53.8
10"	539.8	426	66.55
12"	619.3	496	73.15